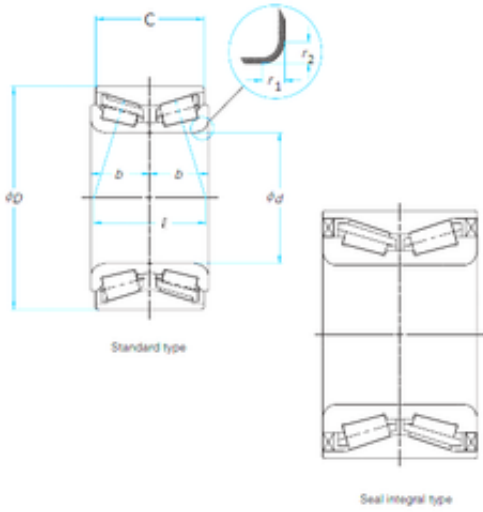




# BEARING CORP.OF AMERICA



38 mm x 64 mm x 37 mm FAG FW306 thrust roller bearings

Bearing No. FW306

Size	38x64x37 mm
Bore Diameter	38 mm
Outer Diameter	64 mm
Width	37 mm
d	38 mm
D	64 mm
B	37 mm
C	37 mm

FW306 Bearing 2D drawings and 3D CAD models