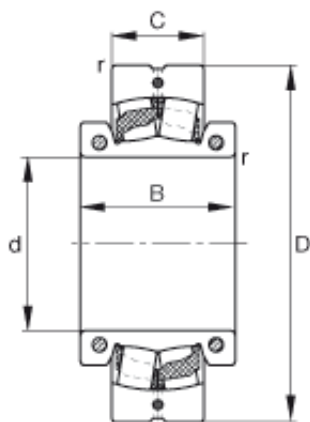




## BEARING CORP.OF AMERICA



### 65 mm x 130 mm x 60 mm FAG 222SM65-TVPA spherical roller bearings

Bearing No. 222SM65-TVPA

Size	65x130x31 mm
Bore Diameter	65 mm
Outer Diameter	130 mm
Width	31 mm
d	65 mm
D	130 mm
C	31 mm
B	60 mm
$r_{\min}$	1,5 mm
m	2,61 kg / Weight
$C_r$	173000 N / Dynamic load rating (radial)
e	0,24
$Y_1$	2,81
$Y_2$	4,19
$C_{0r}$	208000 N / Static load rating (radial)
$Y_0$	2,75
$n_G$	2440 1/min / Limiting speed
$C_{ur}$	19400 N / Fatigue limit load, radial
$F_{a \max}$	5400 N / Permissible axial load, for inner ring without axial abutment
$M_i$	9 Nm / Tightening torque per clamping screw

222SM65-TVPA Bearing 2D drawings and 3D CAD models



## BEARING CORP.OF AMERICA

$M_a$	4 Nm / Tightening torque per clamping screw
	22215K / Designation, spherical roller bearing, unsplit
	H315 / Adapter sleeve