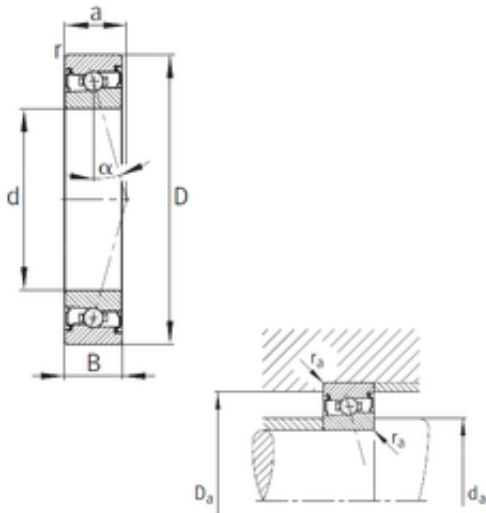




BEARING CORP.OF AMERICA



80 mm x 125 mm x 22 mm FAG HCS7016-C-T-P4S angular contact ball bearings

Bearing No. HCS7016-C-T-P4S

Size	80x125x22 mm
Bore Diameter	80 mm
Outer Diameter	125 mm
Width	22 mm
d	80 mm
D	125 mm
B	22 mm
C	22 mm
Angle (°)	15 °
a	25 mm
r min.	1,1 mm
Da	117 mm
ra max.	1 mm
da	88 mm
Weight	0,873 Kg
Basic dynamic load rating (C)	21,7 kN
Basic static load rating (C0)	24,3 kN
(Grease) Lubrication Speed	16 000 r/min

HCS7016-C-T-P4S Bearing 2D drawings and 3D CAD models