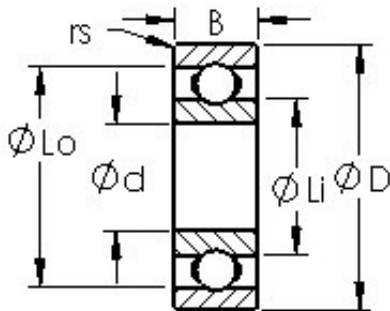




BEARING CORP.OF AMERICA



AST 6208 deep groove ball bearings

Bearing No. 6208

Size	40x80x18 mm
Bore Diameter	40 mm
Outer Diameter	80 mm
Width	18 mm
Bearing Type	Open
Bore Dia (d)	40.0000
Outer Dia (D)	80.0000
Width (B)	18.0000
Radius (min) (rs)	1.100
Dynamic Load Rating (Cr)	29,100
Static Load Rating (Cor)	17,800
Max Speed (Grease) (X1000 RPM)	8
Max Speed (Oil) (X00 RPM)	10
Max. Shaft Shoulder Dia. Inner (Li)	52.9
Min. Housing Shoulder Dia., Outer (Lo)	67.2
Ball Qty	9
Ball Dia (Dw)	11.9060
Weight (g)	366.00
Precision	A1
Standard Clearance	C0
Material	52100 Chrome steel (or equivalent)

6208 Bearing 2D drawings and 3D CAD models