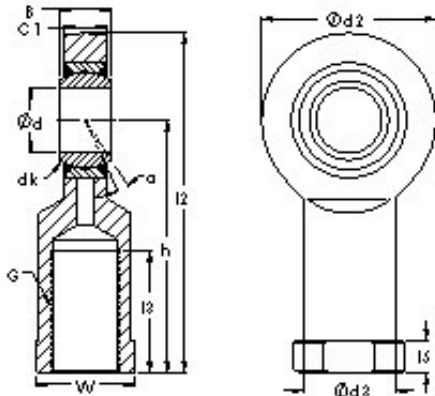




BEARING CORP.OF AMERICA



AST SI45ET-2RS plain bearings

Bearing No. SI45ET-2RS

Bore Diameter	45 mm
Width	32 mm
Bearing Type - steel-on-PTFE fabric, sealed	steelonPTFE fabric, sealed
Bore Dia (d)	45.0000
Width (B)	32.0000
Radius (min) (rs)	0.600
Dynamic Load Rating (Cr)	225,000
Static Load Rating (Cor)	240,000
Spherical Diameter (dk or Dk)	60.000
Mis-alignment Angle (a deg.)	7
Thread Length (l1)	65.000
Bore Center to End of Rod (h)	145.000
Rod Overall Length (l2)	196.000
Rod End Thickness (C1)	28.000
Bore Center to Body (l7)	52
Thread Size (G)	M42 X 3
Rod End Width (d2)	102.000
Body Dia. (d3)	58.000
Body End Dia. (d4)	70.000
Body End Width (l5)	20.000
Body End Flats (W)	65.000
Weight (g)	2,700.00
Material - Body - Carbon steel-zinc plated, Ball -	PTFE fabric material

SI45ET-2RS Bearing 2D drawings and 3D CAD models



BEARING CORP.OF AMERICA

Hardened chrome steel- chrome plated, Liner	
--	--